





# Miza company for Import and Export.

Email: [miza\\_ly@outlook.com](mailto:miza_ly@outlook.com).

Tel-01: +447477838391

Tel-02: +218917333191





# Miza company for Import and Export.



Email: miza\_ly@outlook.com.

Tel-01: +447477838391

Tel-02: +218917333191

## Specifications

1. Production Capacity 100TPH  
Wheel mobile crusher station
2. Input size under 300MM
3. output : size 0-10mm ; 10-20mm; 20-40mm

No.	Product Name	Picture	Detail Descriptions	Unit price
1	Primary crusher station DN80 OPE57		<ol style="list-style-type: none"> <li>1. Big hopper 8 m3</li> <li>2. Double Swing Vibrating Feeder GDN 800*3000 2.4kw*2</li> <li>3. Jaw Crusher PE 500*750 55kw</li> <li>4. Main Belt conveyor B1000*13m 11kw</li> <li>5. Tape type iron remover</li> <li>6. Two-Axis 8 Wheels Car frame system with long working life ,not easy to break .</li> <li>7. electronic cabinet , cables etc.</li> </ol>	\$110000
2	Secondary crusher station DN12 003Y K1848		<ol style="list-style-type: none"> <li>1. Splicer, belt conveyor, feeding silo</li> <li>2. cone Crusher DN1200C-D 132kw</li> <li>3. vibrating Screen 3YD1848 Three layer</li> <li>4. belt conveyor from crusher to screen</li> <li>5. belt conveyor for the above 40mm to back</li> <li>6. three final products belt conveyor</li> <li>7. Wheels Car frame system with long working life .</li> <li>8. electronic cabinet , Hydraulic device ,Refrigeration equipment Auxiliary wires and cables and steels</li> </ol>	\$125530
EXW FACTORY PRICE TOTAL				<b>235530</b>



# Miza company for Import and Export.

Email: miza\_ly@outlook.com.

Tel-01: +447477838391

Tel-02: +218917333191

## Product Introduction

### Vibrating Grizzly Feeder(DN380\*95)



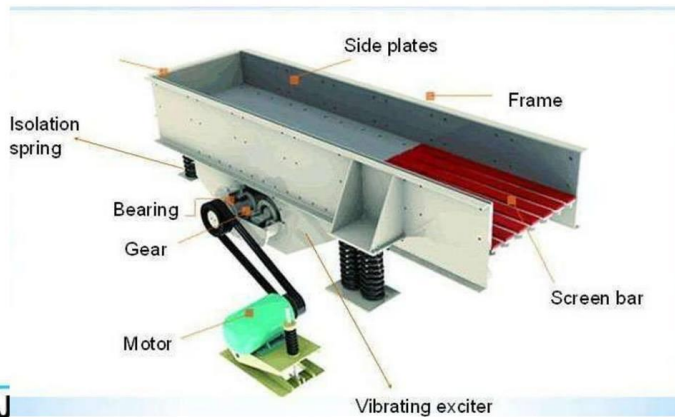
All the sides that will contact with stone materials are made of high manganese steel, are easily replaceable.

#### 1. Main parameters:

Size of Funnel:	3800*950mm
Max feed size:	500mm
Capacity:	96-160t/h
Weight:	4082kg
Power:	11kw
Voltage:	220-480V/60Hz
Overall dimension:	3882*2224*2121mm
Bearing:	HRB(China)
Motor:	Liu'an(China)

#### 2. Principle of Operation:

Vibrating feeder is composed of a feeding trough, vibrator, spring support, driving device, etc. Body vibration feeder vibration source is the vibration exciter, which is composed of two eccentric shaft (main, passive) and gear pair. Motor drives the driving shaft through the belt, and the driving shaft gear drive n shaft rotation. The driving shaft and the driven shaft reverse rotation at the same time, the body vibration, so that the material continuous flow, achieve the purpose of conveying material. Video of Vibrating grizzly feeder: <http://youtu.be/tgDgbC3VRC4>



#### 3. Advantages and Features

- 1) Small volume, light weight, simple structure.
- 2) Easy to install, repair, low operation cost.
- 3) High efficiency, good feeding capacity.
- 4) Low noise, low power consumption, high power factor.
- 5) Stable vibration, even feeding, long service life.

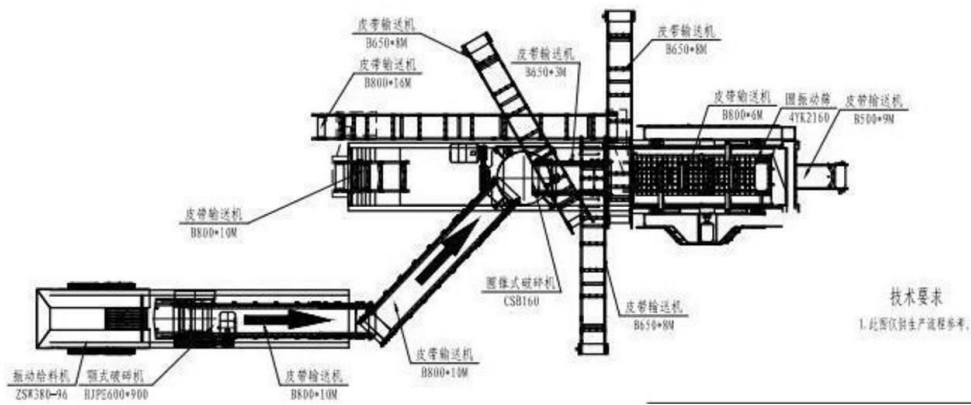
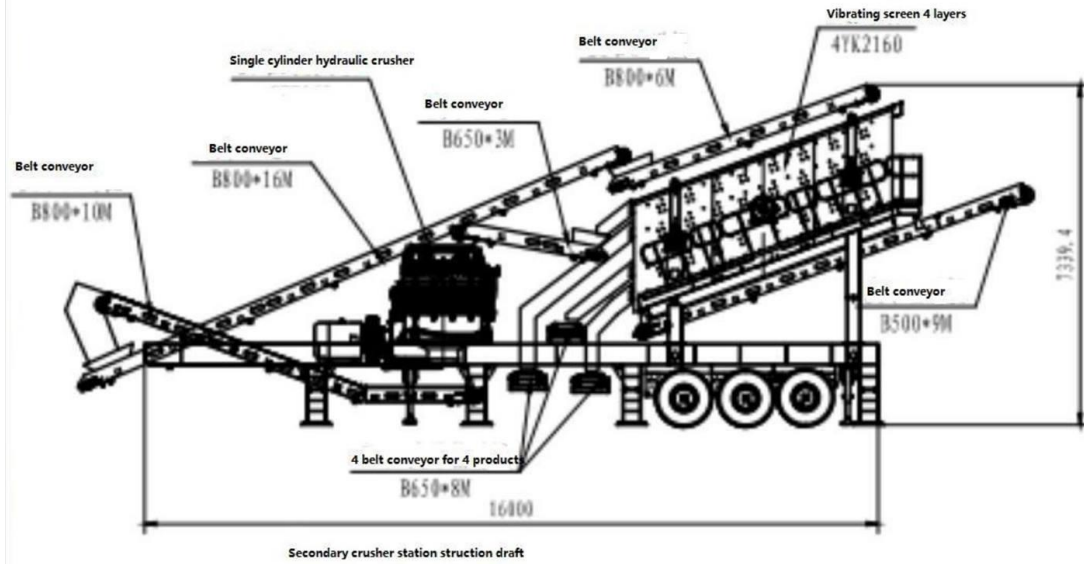


# Miza company for Import and Export.

Email: miza\_ly@outlook.com.

Tel-01: +447477838391

Tel-02: +218917333191





# Miza company for Import and Export.

Email: [miza\\_ly@outlook.com](mailto:miza_ly@outlook.com).

Tel-01: +447477838391

Tel-02: +218917333191





# Miza company for Import and Export.

Email: [miza\\_ly@outlook.com](mailto:miza_ly@outlook.com).

Tel-01: +447477838391

Tel-02: +218917333191





# Miza company for Import and Export.

Email: miza\_ly@outlook.com.

Tel-01: +447477838391

Tel-02: +218917333191

## Product Introduction

### Vibrating Grizzly Feeder(GDN 800\*3000)



#### 1. Main parameters:

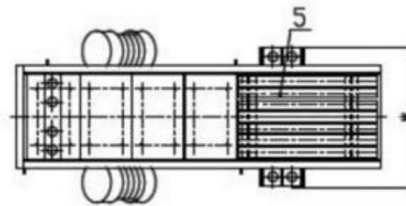
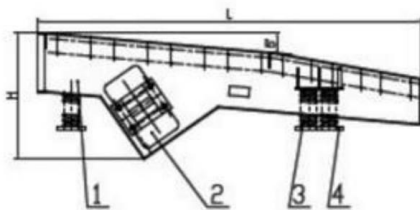
Size of funnel	800x3000mm
Max feed size:	425mm
Capacity:	40-110t/h
Power:	2*2.4KW

#### 2 . Principle of operation

A new type of vibrating motor is used to drive the sieve body to make periodic linear reciprocating motion along the groove direction to achieve uniform and quantitative feeding. Vibration feeder is composed of material body, vibration motor and vibration absorber.

#### 3 . Advantages and features

- 1) Small volume , Light weight , simple structure
- 2) Easy install , repair , lower operation
- 3) High Efficiency , good feeding capacity
- 4) Low Noise , Low power consumption , high power factor
- 5) stable vibration , even feeding , long service life







# Miza company for Import and Export.

Email: miza\_ly@outlook.com.

Tel-01: +447477838391

Tel-02: +218917333191

## Jaw Crusher(PE-500\*750)

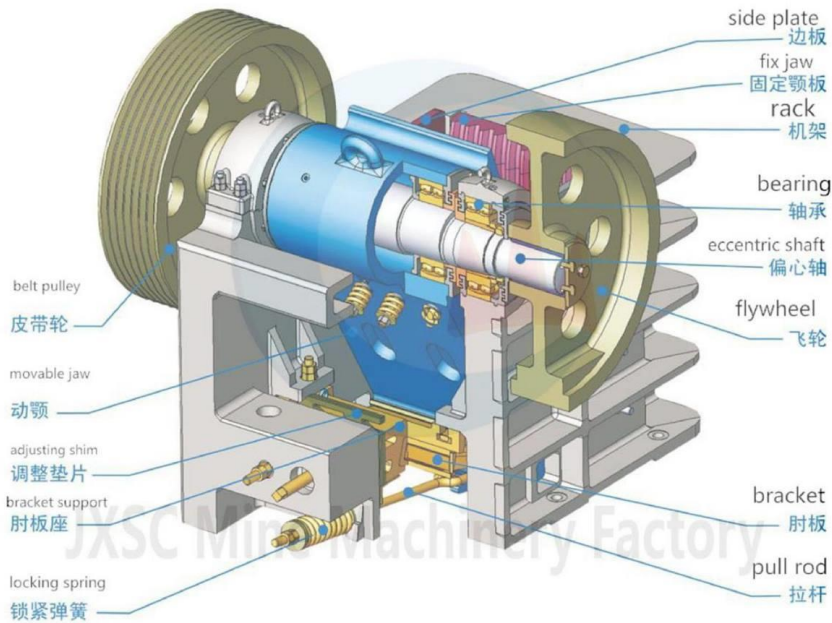
### 1. Main parameters:



Capacity	40-110TPH
Max feeding size:	425mm
Discharging range size:	50-100 mm
power:	55kw
Feed opening size	500*750mm

### 2. Principle of Operation :

A series of jaw stone crushers use compressive and squeezing force for reducing materials. This physical force is created by the two jaw plates, one of which is a movable plate and another is fixed, both of them are made of manganese. A V-shaped cavity, crushing chamber, is formed and the hydraulic discharge gap width of the crushing chamber, we can determine the suited feeding material size and discharging size, the width of top feeding is larger than that of bottom discharging.





# Miza company for Import and Export.

Email: miza\_ly@outlook.com.

Tel-01: +447477838391

Tel-02: +218917333191

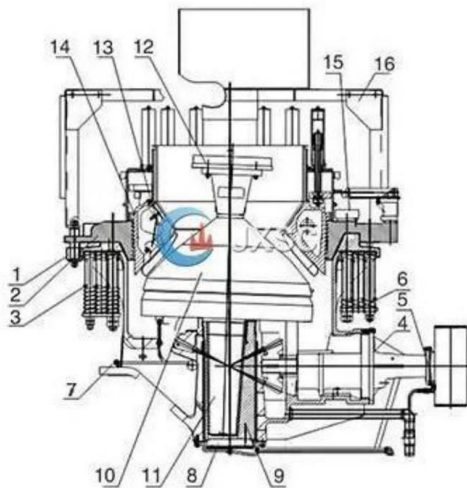
## Compound cone crusher(DN1200C-D)



### 1. Main parameters:

Capacity	110-250TPH
Max feeding size:	180mm
Discharging range size:	19-50 mm
power:	132kw

2. JXSC Compound cone crusher is improved modified by Symons cone crusher, which is the high- performance cone crusher that introducing advanced foreign technology. The crusher equipment has product characteristics of superior quality and reliable performance. The crusher equipment adopts the best combination of crushing frequency and eccentric distance, which makes the crushed materials have a higher crushing degree. The crushing productivity is higher than other crushers. The crushing equipment' s operation becomes more automatic because it uses the devices of hydraulic safety, hydraulic lock, hydraulic adjustment, hydraulic cavity cleaning, etc.



- |                       |                      |
|-----------------------|----------------------|
| 1. Rack               | 11. Main shaft       |
| 2. Supporting sleeve  | 12. Disribution disc |
| 3. Spring             | 13. Concave          |
| 4. Thrust bearing     | 14. Adjusting sleeve |
| 5. Transmission shaft | 15. Jack system      |
| 6. Spring             | 16. Feeding platform |
| 7. Lubrication        |                      |
| 8. Thrust bearing     |                      |
| 9. Eccentric bushing  |                      |
| 10. Mantle            |                      |



# Miza company for Import and Export.

Email: miza\_ly@outlook.com.

Tel-01: +447477838391

Tel-02: +218917333191

## Conveyor Belt



### 1. Main parameters:

Belt width	1000mm, 800mm 650mm ,
power :	11kw ,7.5kw
Conveying speed	1.25-2.0 m/s
conveying amount	80-120t/h

### 2. Product introduction:

Belt conveyor has the advantages of big conveying amount, simple structure, convenient maintenance and standard spare parts. The belt conveyor moves according to the friction drive principle and its conveying amount is big, conveying distance is long and conveyance is stable, and there is no relative movement between the materials and the belt. With the advantages of low noise, simple structure, convenient maintenance and standard spared parts, it is widely used in the conveyance of bulk materials or piece articles and the production line in mine, metallurgy, chemistry, casting and building material industry and the production departments such as hydropower station construction site and port, product video : <https://youtu.be/Ncteyh4IBb0>



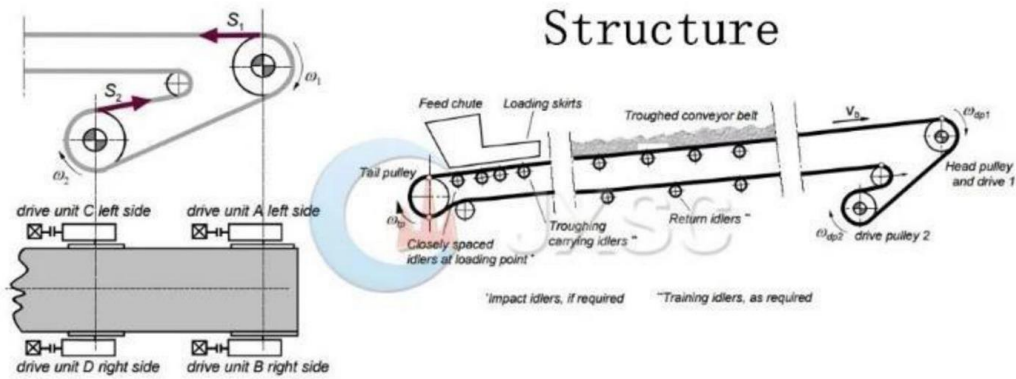
# Miza company for Import and Export.

Email: miza\_ly@outlook.com.

Tel-01: +447477838391

Tel-02: +218917333191

## 3 . Belt structure and spare part picture





# Miza company for Import and Export.

Email: miza\_ly@outlook.com.

Tel-01: +447477838391

Tel-02: +218917333191

## 3 layers Circle screen 3YD1848

### 1. Main parameters:



Screen size	4800mm*1800mm
power :	18.5kw
Layers	3
screen mesh	10mm,20mm, 40mm

### Performance characteristics:

1. The material screen drip line is long and has many screening specifications.
2. The eccentric block as an exciting force, a strong exciting force.
3. Sieve beams and sieve box connected by high strength bolts, no welding.
4. Sieve machine has the advantages of simple structure and convenient repair.
5. The small amplitude, high frequency, high dip structure, so this machine is of high efficiency, maximum, long life, low power consumption, low noise.



## **Miza company for Import and Export.**

Email: [miza\\_ly@outlook.com](mailto:miza_ly@outlook.com).

Tel-01: +447477838391

Tel-02: +218917333191

