



# Miza company for Import and Export.

Email: [miza\\_ly@outlook.com](mailto:miza_ly@outlook.com).

Tel-01: +447477838391

Tel-02: +218917333191



hydraulic oil station



Electric control cabinet



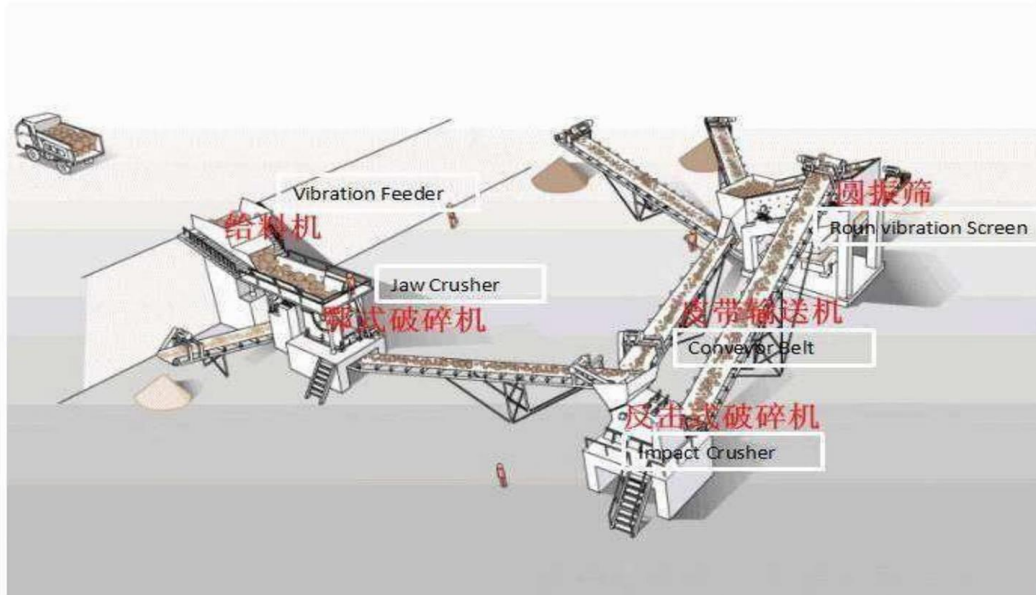
# Miza company for Import and Export.

Email: [miza\\_ly@outlook.com](mailto:miza_ly@outlook.com)

Tel-01: +447477838391

Tel-02: +218917333191

## Flowchart of Gravel Production Line of Other Clients





# Miza company for Import and Export.

Email: [miza\\_ly@outlook.com](mailto:miza_ly@outlook.com).

Tel-01: +447477838391

Tel-02: +218917333191





# Miza company for Import and Export.

Email: [miza\\_ly@outlook.com](mailto:miza_ly@outlook.com).

Tel-01: +447477838391

Tel-02: +218917333191





# Miza company for Import and Export.

Email: [miza\\_ly@outlook.com](mailto:miza_ly@outlook.com).

Tel-01: +447477838391

Tel-02: +218917333191





# Miza company for Import and Export.



Email: miza\_ly@outlook.com.

Tel-01: +447477838391

Tel-02: +218917333191

## Specifications

1. Production Capacity 200TPH Wheel mobile crusher
2. Input size 400-600MM
3. output : size 0-10mm,10-20mm, 20-50mm,50-75mm

No.	Product Name	Picture	Detail Descriptions
1	Primary crusher station		<ol style="list-style-type: none"> <li>1. 8m<sup>3</sup> hopper</li> <li>2. Vibrating Feeder DN4911 15kw</li> <li>3. Jaw crusher PE750*1060 90kw</li> <li>4. Belt conveyor system B1000 x 5m and B1000x8m 7.5kw x 2</li> <li>5. dump type iron remover</li> <li>6. Three-Axis 12 pcs Wheel Car frame system</li> <li>7. 160kw electronic control cabinet , Hydraulic system , movable mechanical leg etc.</li> </ol> <p style="text-align: right;"><b>Unit price : 142353 USD</b></p>
2	Secondary crusher station		<ol style="list-style-type: none"> <li>1. Feeding conveyor belt B1000 x 6 meter 7.5kw</li> <li>2. Cone Fine 4.5feet-b coarse type 155kw</li> <li>3. Circle vibrating Screen 4YD2160 4 layers 22kw</li> <li>4. four final products onveyor belt width 800mm</li> <li>5. Return over size conveyors belt B800x4 meter 5.5kw</li> <li>6. Three-axis 12pcs Wheel car frame system</li> <li>7. 250kw electronic control cabinet , Hydraulic system for the screen and movable mechanical leg</li> </ol> <p style="text-align: right;"><b>Unite price : 186472 USD</b></p>
<b>EXW FACTORY PRICE TOTAL</b>			<b>328825USD</b>



# Miza company for Import and Export.

Email: miza\_ly@outlook.com.

Tel-01: +447477838391

Tel-02: +218917333191

## Product Introduction

### Vibrating Grizzly Feeder(DN490\*110)



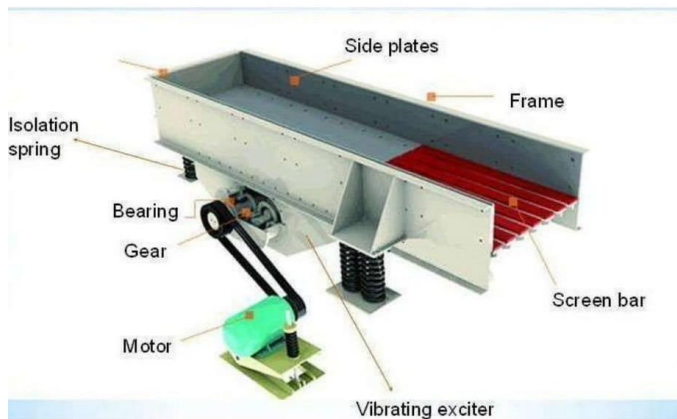
All the sides that will contact with stone materials are made of high manganese steel, are easily replaceable.

#### 1. Main parameters:

Size of Funnel	4900*1100
Max feed size:	580mm
Capacity:	120-280t/h
Power:	15kw

#### 2. Principle of Operation:

Vibrating feeder is composed of a feeding trough, vibrator, spring support, driving device, etc. Body vibration feeder vibration source is the vibration exciter, which is composed of two eccentric shaft (main, passive) and gear pair. Motor drives the driving shaft through the belt, and the driving shaft gear drive n shaft rotation. The driving shaft and the driven shaft reverse rotation at the same time, the body vibration, so that the material continuous flow, achieve the purpose of conveying material. Video of Vibrating grizzly feeder: <https://youtu.be/tgDgbC3VRC4>



#### 3. Advantages and Features

- 1) Small volume, light weight, simple structure.
- 2) Easy to install, repair, low operation cost.
- 3) High efficiency, good feeding capacity.
- 4) Low noise, low power consumption, high power factor.
- 5) Stable vibration, even feeding, long service life.



# Miza company for Import and Export.

Email: miza\_ly@outlook.com.

Tel-01: +447477838391

Tel-02: +218917333191

## Jaw Crusher(PE750\*1060)

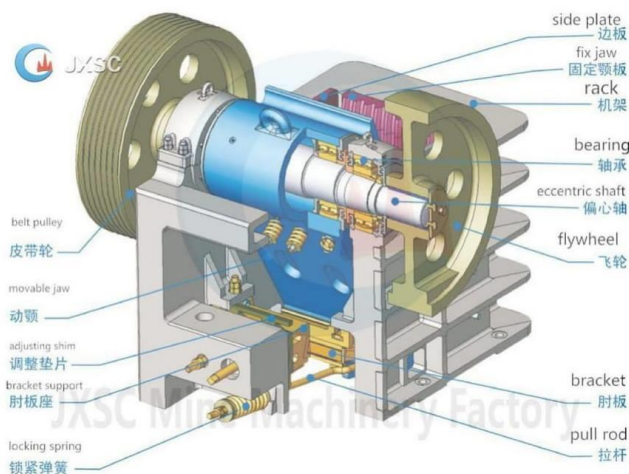


### 1. Main parameters:

<b>Capacity</b>	<b>110-320TPH</b>
Max feeding size:	630mm
Discharging range size:	80-180 mm
power:	90kw
Feed opening size	750*1060mm
Overall dimension	2450x2472x2840

### 2.2. Principle of Operation :

A series of jaw stone crushers use compressive and squeezing force for reducing materials. This physical force is created by the two jaw plates, one of which is a movable plate and another is fixed, both of them are made of manganese. A V-shaped cavity, crushing chamber, is formed and the hydraulic discharge gap width of the crushing chamber, we can determine the suited feeding material size and discharging size, the width of top feeding is larger than that of bottom discharging.







# Miza company for Import and Export.

Email: miza\_ly@outlook.com.

Tel-01: +447477838391

Tel-02: +218917333191

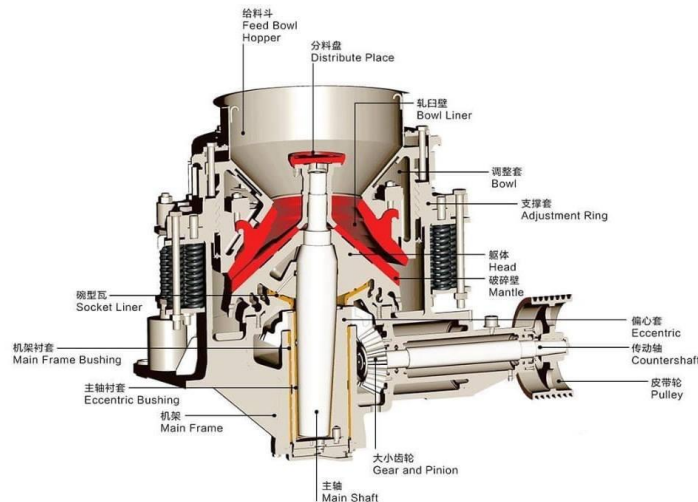
## Symons 4'1/4 feet-b coarse cone crusher



### 1. Main parameters:

1. Cavity type: short head coarse
2. Cone dia.: 1295mm
3. Discharging opening size: 8-25mm
4. Max feeding size: 89mm
5. Capacity: 109-227t/h
6. Power: 160kw
7. size : 2800x2267x2510mm

2. JXSC Compound cone crusher is improved modified by Symons cone crusher, which is the high- performance cone crusher that introducing advanced foreign technology. The crusher equipment has product characteristics of superior quality and reliable performance. The crusher equipment adopts the best combination of crushing frequency and eccentric distance, which makes the crushed materials have a higher crushing degree. The crushing productivity is higher than other crushers. The crushing equipment' s operation becomes more automatic because it uses the devices of hydraulic safety, hydraulic lock, hydraulic adjustment, hydraulic cavity cleaning, etc.





# Miza company for Import and Export.

Email: miza\_ly@outlook.com.

Tel-01: +447477838391

Tel-02: +218917333191

## Conveyor Belt (B1000 B800)



### 1. Main parameters:

Belt width	1000mm 800mm
power :	7.5kw
Conveying speed	1.25-2.0 m/s
conveying amount	120-320t/h

### 2. Product introduction:

Belt conveyor has the advantages of big conveying amount, simple structure, convenient maintenance and standard spare parts. The belt conveyor moves according to the friction drive principle and its conveying amount is big, conveying distance is long and conveyance is stable, and there is no relative movement between the materials and the belt. With the advantages of low noise, simple structure, convenient maintenance and standard spared parts, it is widely used in the conveyance of bulk materials or piece articles and the production line in mine, metallurgy, chemistry, casting and building material industry and the production departments such as hydropower station construction site and port, product video : <https://youtu.be/Ncteyh4IBb0>



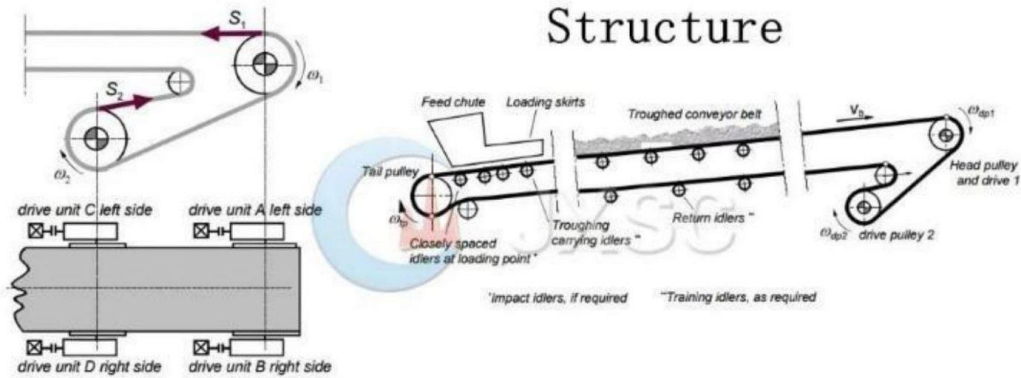
# Miza company for Import and Export.

Email: miza\_ly@outlook.com.

Tel-01: +447477838391

Tel-02: +218917333191

## 3 . Belt structure and spare parts picture





# Miza company for Import and Export.

Email: miza\_ly@outlook.com.

Tel-01: +447477838391

Tel-02: +218917333191

## 4 layers Circle screen 4YD2160



### 1. Main parameters:

Screen size	6000mm*2100
power :	30kw
Layers	4
max feeding size	100mm
screen mesh	3-80mm
vibrating frequency	700-900
double swing	5-9

### Performance characteristics:

1. The material screen drip line is long and has many screening specifications.
2. The eccentric block as an exciting force, a strong exciting force.
3. Sieve beams and sieve box connected by high strength bolts, no welding.
4. Sieve machine has the advantages of simple structure and convenient repair.
5. The small amplitude, high frequency, high dip structure, so this machine is of high efficiency, maximum, long life, low power consumption, low noise.



# Miza company for Import and Export.

Email: [miza\\_ly@outlook.com](mailto:miza_ly@outlook.com).

Tel-01: +447477838391

Tel-02: +218917333191

---

## Success Case





# Miza company for Import and Export.

Email: [miza\\_ly@outlook.com](mailto:miza_ly@outlook.com).

Tel-01: +447477838391

Tel-02: +218917333191





# Miza company for Import and Export.

Email: [miza\\_ly@outlook.com](mailto:miza_ly@outlook.com).

Tel-01: +447477838391

Tel-02: +218917333191

